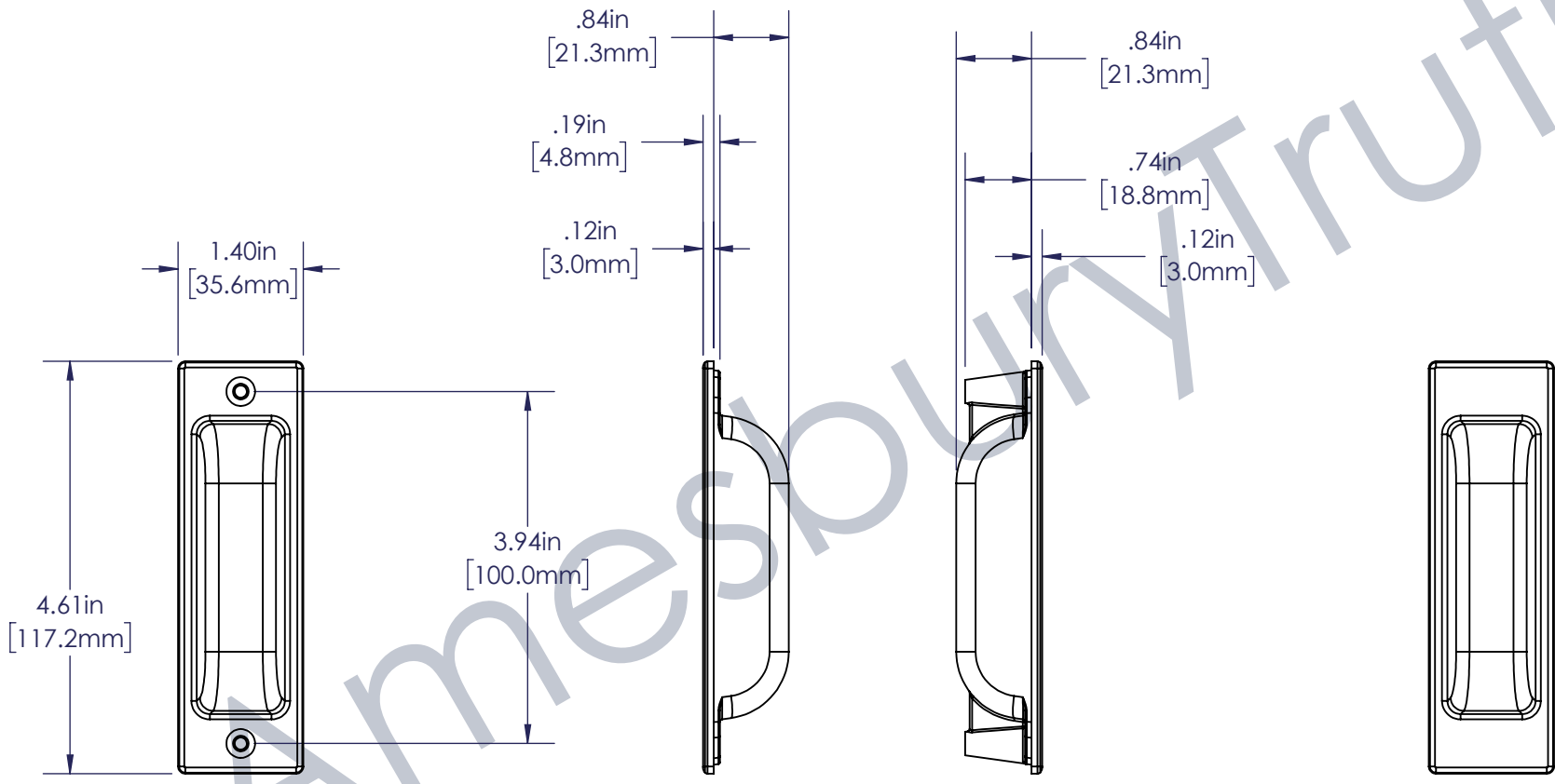

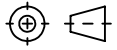


REV	LOC	DESCRIPTION	DATE	EC #	BY
1		RELEASED	9/15/2022		TF



CUSTOMER PAGE

 Amesbury Truth [™] Engineered Solutions. Trusted Results.	INTERPRET PER: ASME Y14.5M-2009	DRAWING TITLE: 40.84.XX.304 CUSTOMER PAGE	
	UNITS: INCH	SCALE: 1:2	
THE INFORMATION CONTAINED IN THIS DRAWING IS CONFIDENTIAL AND PROPRIETARY. THIS DRAWING IS NOT TO BE COPIED OR REPRODUCED IN WHOLE OR IN PART WITHOUT EXPRESS WRITTEN PERMISSION.	THIRD ANGLE PROJECTION 	SHEET 1 OF 1	
		DRAWING #: 40.84.XX.304 CUSTOMER_1.P	